



High Performance Dante Networks

Ted White / Kurt Howell
“RedNet” Focusrite Novation Inc.

Fall 2015

REDNET

Focusrite® **REDNET**

Network Audio System



REDNET

**We build interfaces that connect DAWs
and consoles to a Dante REDNET
Network!**

Focusrite®

REDNET System

Focusrite® **REDNET**

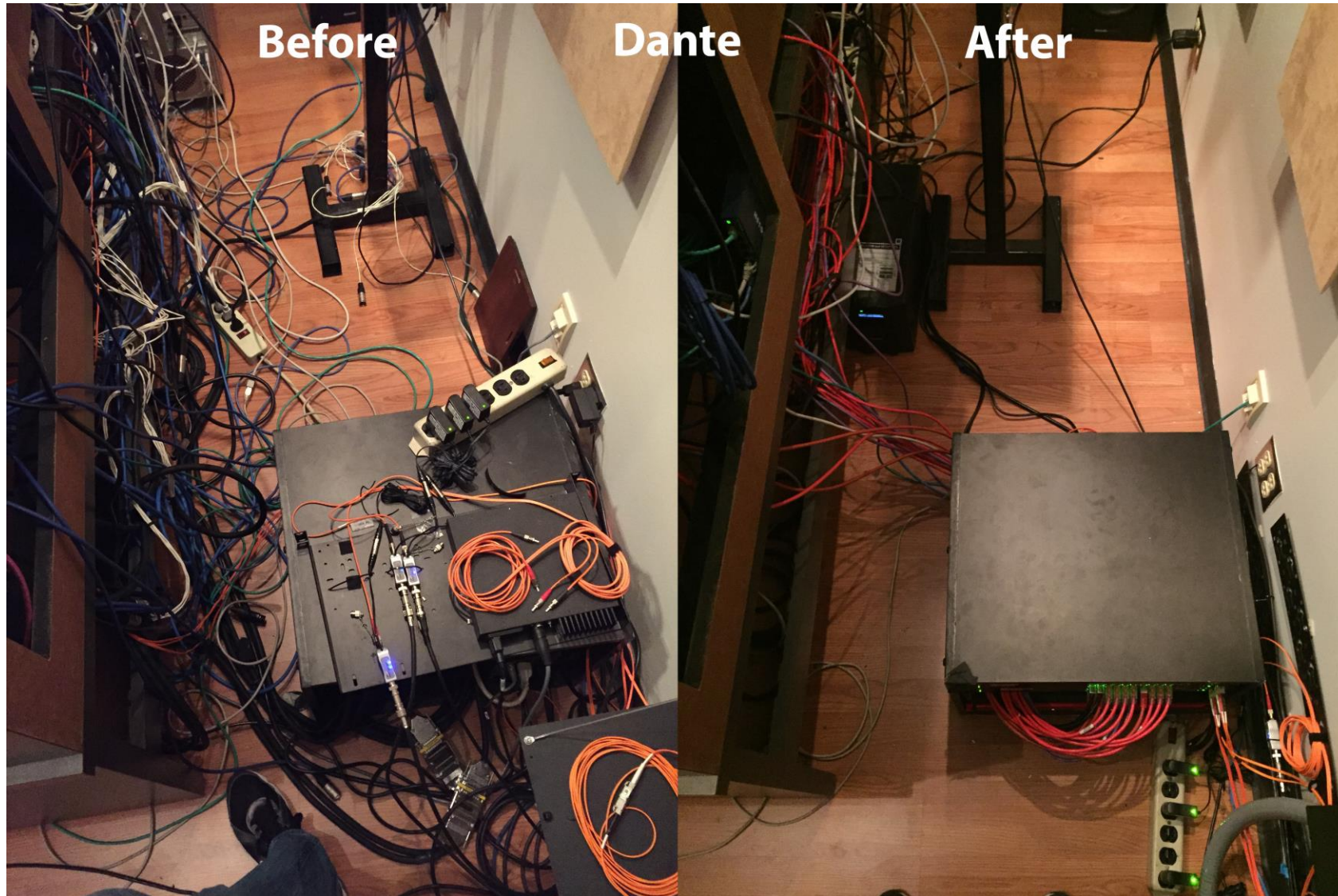
Network Audio System

The REDNET System

- 44.1kHz to 192kHz, 24-bit audio
- 119dB dynamic range throughout
- Low latency solution for many DAW's
- Low cost, high quality endpoint solution

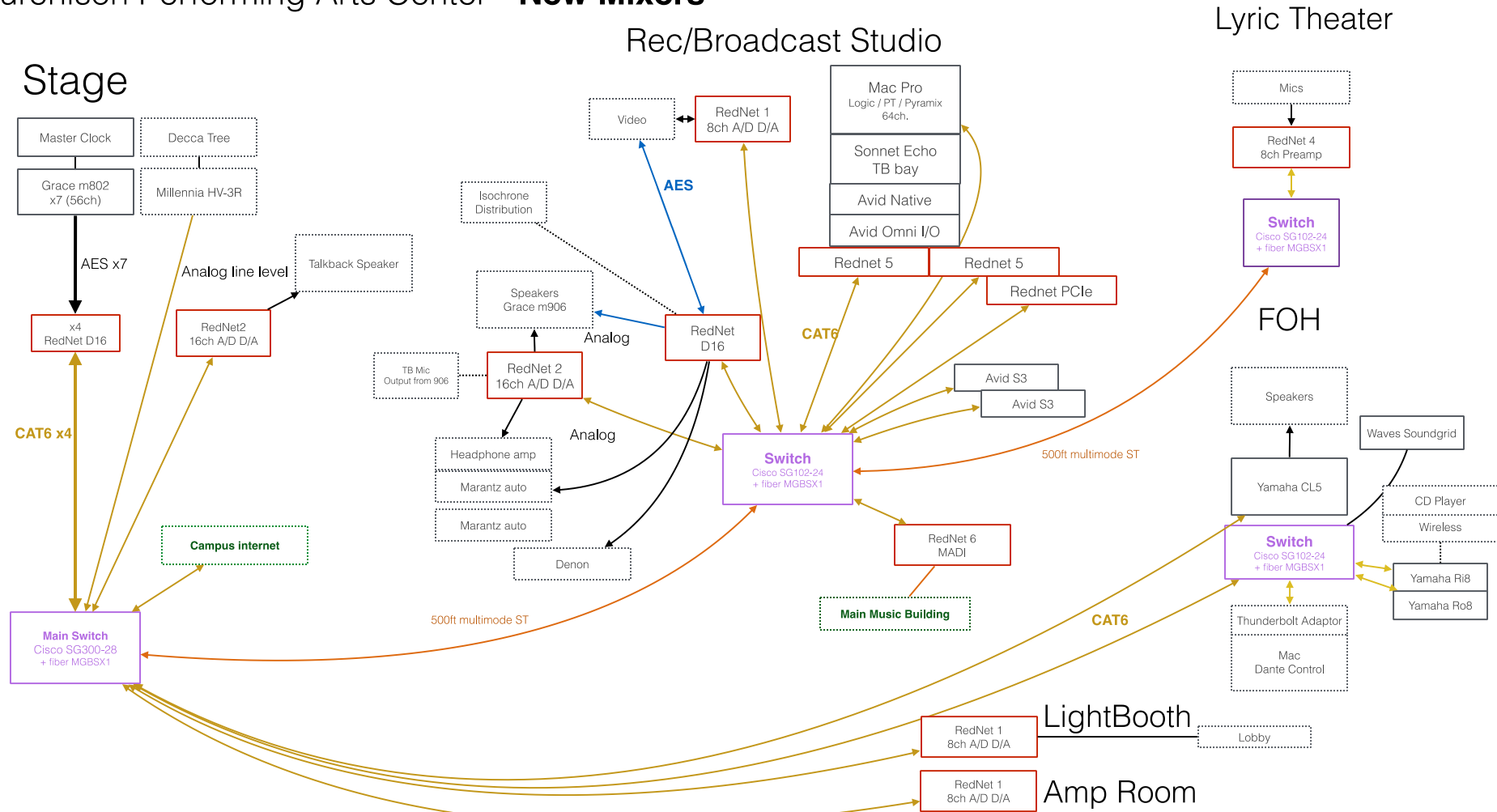


University of North Texas



University of North Texas

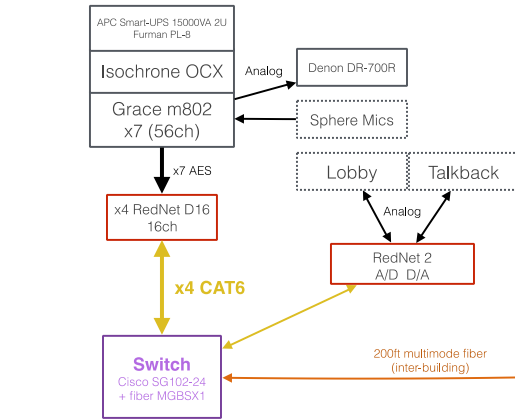
Murchison Performing Arts Center - **New Mixers**



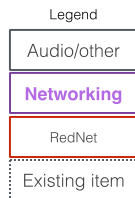
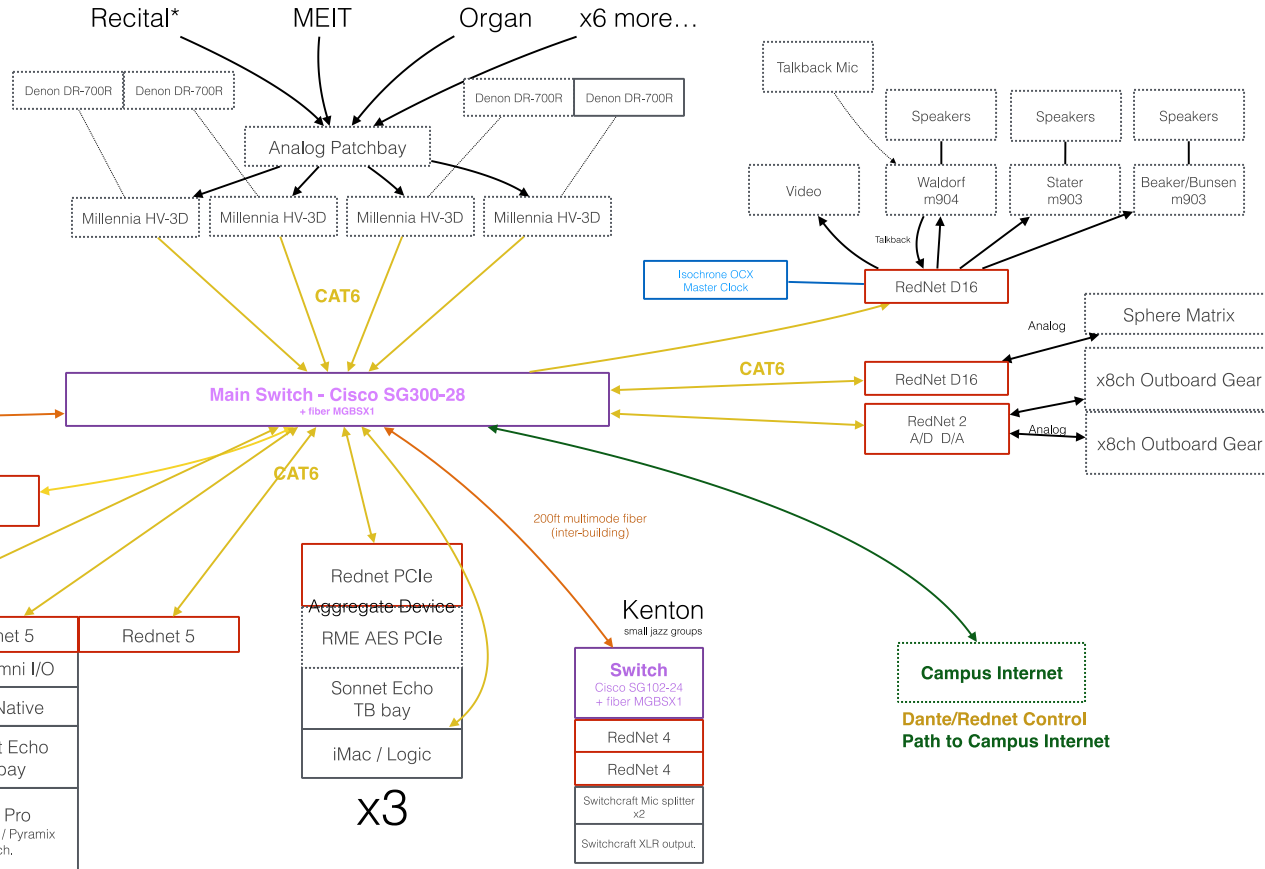
University of North Texas

Main Music Building

Voertman Concert Hall



Other Concert Halls



Recital: May move to fixed hanging pair

University of North Texas





High Performance Dante Networks

Ted White
“RedNet” Focusrite Novation Inc.

Los Angeles | Sept. 22th, 2015