



# DANTE DOMAIN MANAGER™

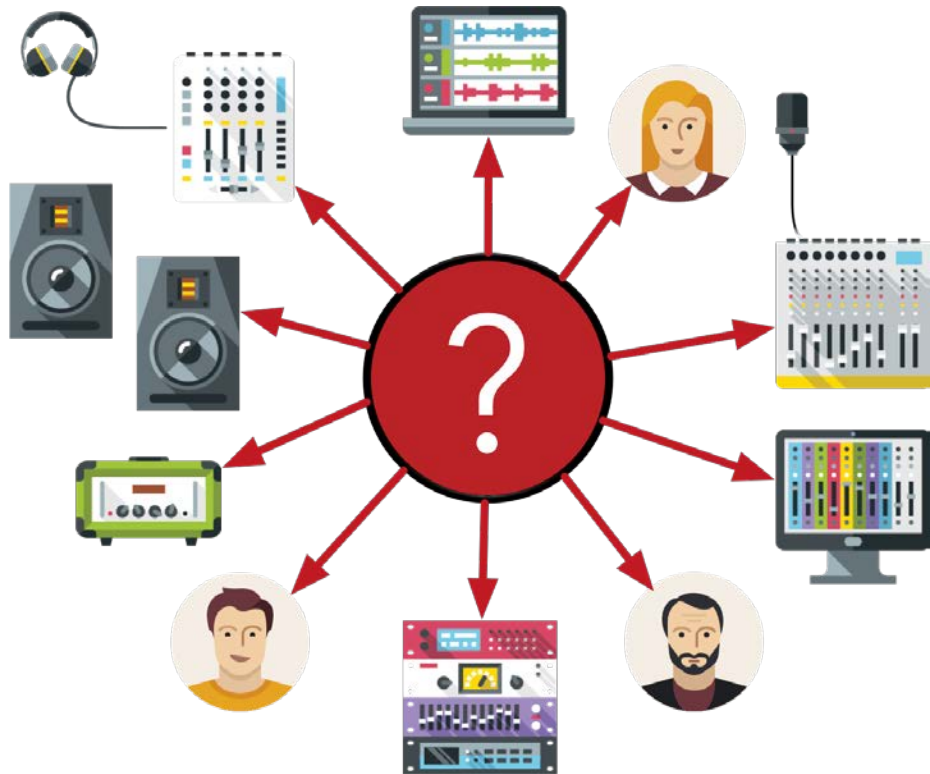
---

*Complete network management for Dante systems*



<http://www.audinate.com/resources>

# AV networks bring IT-level concerns



**How can I make sure that only authorized changes are made?**

**How can I tell who has made changes to my system? What did they do?**

**How can I centralise Dante AV system management in my site?**

**How can I quickly tell if the system is working correctly?**

## DANTE DOMAIN MANAGER

---

### SECURITY

- Usernames/passwords identify users
- Defined roles control access and permissions

### SCALABILITY

- Group Dante devices into logical managed systems
- Create Dante systems spanning large networks

### VISIBILITY

- Centralise Dante system management
- Monitor system status and changes from anywhere

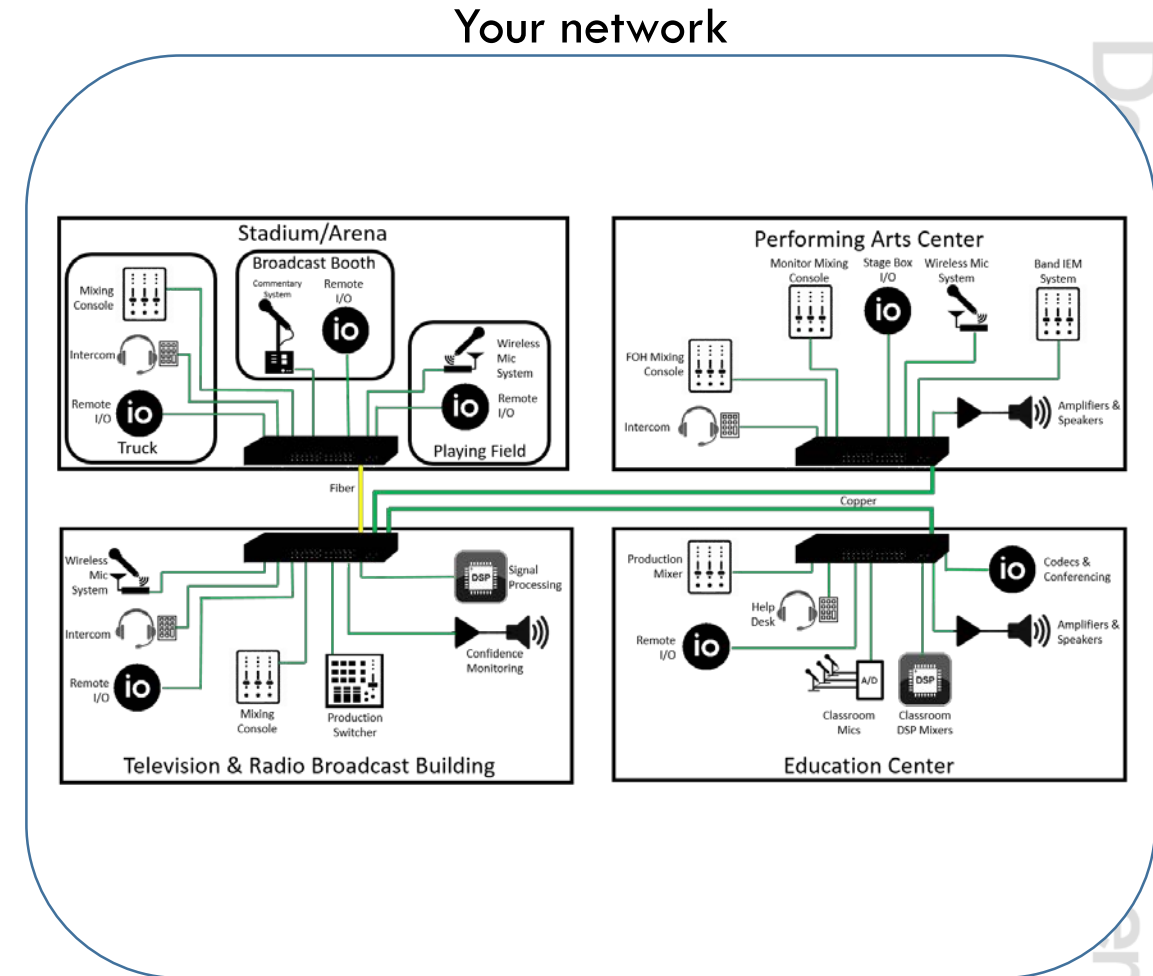
# What is Dante Domain Manager?



- ✓ Dante Domain Manager is software to manage, monitor and secure your entire Dante network
- ✓ Runs in server platforms, desktop and virtual environments
- ✓ Familiar and intuitive dashboard – authorized access wherever you need Dante device visibility
- ✓ Not in the audio path – audio continues even if the server has failed or is unreachable

# ABOUT DANTE DOMAINS

- ✓ A Dante Domain is a logical group of devices and users with access controls
- ✓ A Dante Domain may be used to represent a location, building, zone, ...
- ✓ Many Dante Domains can share one underlying network
- ✓ A Dante Domain may span IP subnets
- ✓ A Dante Domain can be isolated in terms of connectivity, audio and user access



## AUTHENTICATION

- For every device, every computer & user
- Optional integration with Active Directory

## USER ROLES

- Grant access only where needed, control changes
- Four built-in privilege levels

## DOMAIN MANAGEMENT

- Per-domain user privileges are supported
- Domains can be isolated from each other

## ROUTED CAMPUS NETWORKS

- Minimize or eliminate IT/network changes
- No need to have Dante devices in a single subnet

## LARGE SYSTEMS

- Divide large systems into logical Dante domains
- Deploy Dante transparently across network subnets

## HIGH AVAILABILITY

- Support for redundant DDM servers

## CHECK SYSTEM STATUS INSTANTLY

- Centralized status logging & reporting
- User-configurable dashboard shows key information

## AUDIT REPORTS

- Complete, time-stamped log of changes & events
- Know who did what & when

## REMOTE ALERTS

- Integrate with SNMP network management tools



# Easy to use

## BROWSER-BASED MANAGEMENT GUI

- Use with all popular browsers and devices

## INTUITIVE NAVIGATION

- Manage Dante domains, devices, users & roles in a single window
- Clear and easy to understand

## SIMPLE DEVICE DISCOVERY & ENROLLMENT

- Simple and/or automated Dante device discovery
- Simple, configurable, domain enrollment

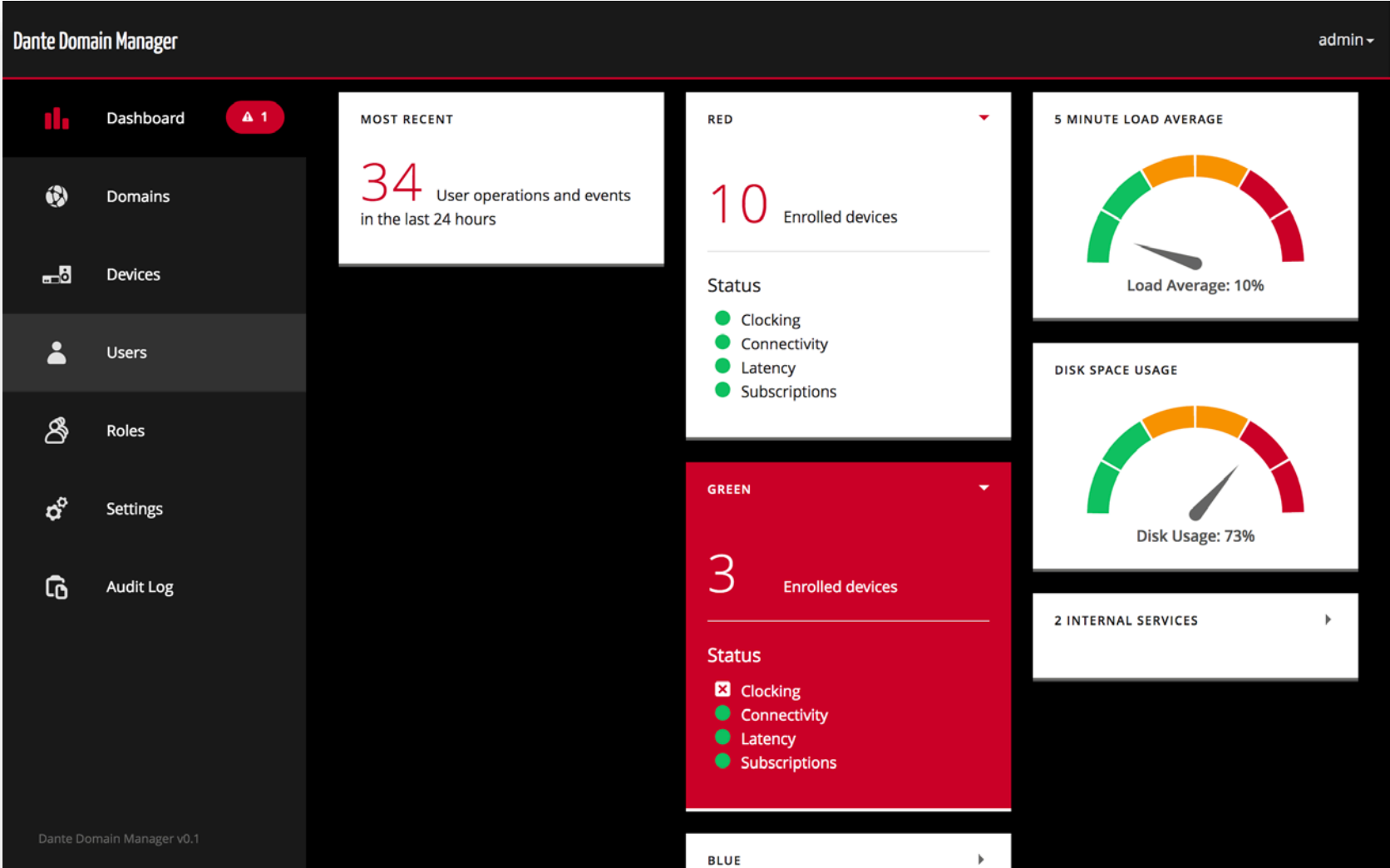
# Dashboard for system status

The screenshot shows the Dante Domain Manager dashboard. At the top left, it says 'Dante Domain Manager'. In the top right corner, there are icons for help, a lock, and the user 'admin'. A vertical sidebar on the left contains navigation options: Dashboard, Domains, Devices, Users, Roles, Settings, and Audit Log. The main content area is divided into several sections:

- DISABLED**: A grey box with a warning icon and the text 'High Availability is disabled'.
- External Services**: A section containing two grey boxes with warning icons:
  - SNMP Proxy Agent**: 'Receives SNMP queries and sends responses', 'Disabled'.
  - Email Service**: 'Sends notifications and reset password link', 'Disabled'.
- MOST RECENT**: A white box showing '234 User operations and events in the last 24 hours'.
- 2 INTERNAL SERVICES**: A white box with a right-pointing arrow.
- Domains**: A red box for the 'STADIUM' domain showing '6 Enrolled devices'. Below this is a 'Status' section with four items:
  - Clocking: Green circle, active.
  - Connectivity: Red X, inactive.
  - Latency: Green circle, active.
  - Subscriptions: Red X, inactive.

At the bottom left of the dashboard, it says 'Dante Domain Manager v0.1'. On the right side of the image, there is a vertical watermark that reads 'Dante Domain Manager™'.

# Dashboard for system status

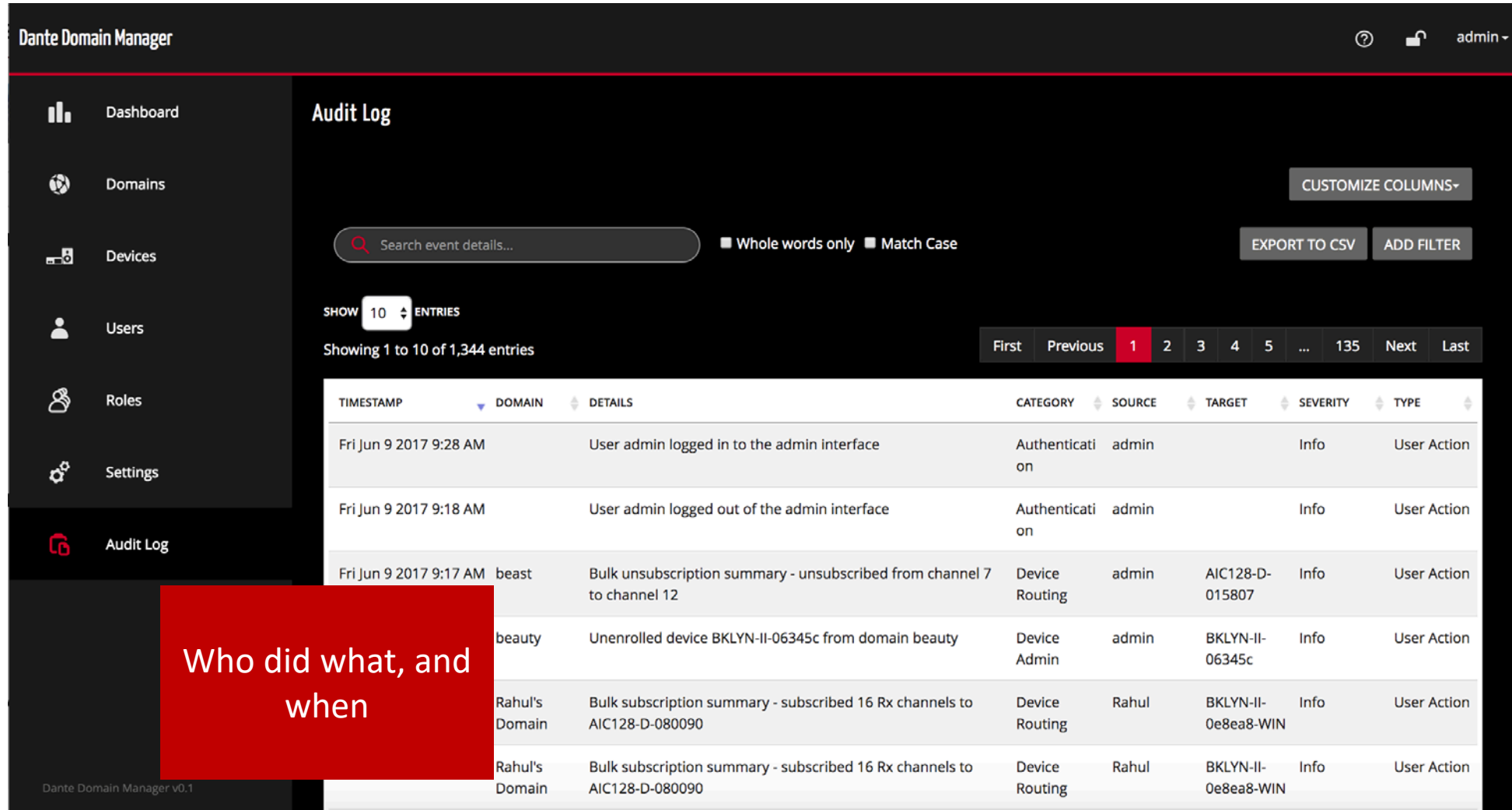


The screenshot shows the Dante Domain Manager dashboard with the following components:

- Header:** Dante Domain Manager (left) and admin (right).
- Navigation:** Dashboard (with 1 notification), Domains, Devices, Users, Roles, Settings, and Audit Log.
- Most Recent:** 34 User operations and events in the last 24 hours.
- RED Status:** 10 Enrolled devices. Status: Clocking, Connectivity, Latency, Subscriptions (all green).
- 5 MINUTE LOAD AVERAGE:** Gauge showing Load Average: 10%.
- DISK SPACE USAGE:** Gauge showing Disk Usage: 73%.
- GREEN Status:** 3 Enrolled devices. Status: Clocking (red), Connectivity, Latency, Subscriptions (all green).
- INTERNAL SERVICES:** 2 INTERNAL SERVICES.
- Footer:** Dante Domain Manager v0.1.

Dante Domain Manager™

# Audit Log



The screenshot shows the Dante Domain Manager interface with the Audit Log section active. The left sidebar contains navigation options: Dashboard, Domains, Devices, Users, Roles, Settings, and Audit Log. The main content area displays the Audit Log with a search bar, filters for 'Whole words only' and 'Match Case', and buttons for 'EXPORT TO CSV' and 'ADD FILTER'. A table shows the first 10 entries of 1,344 total entries. A red box highlights the text 'Who did what, and when' over the table.

TIMESTAMP	DOMAIN	DETAILS	CATEGORY	SOURCE	TARGET	SEVERITY	TYPE
Fri Jun 9 2017 9:28 AM		User admin logged in to the admin interface	Authentication	admin		Info	User Action
Fri Jun 9 2017 9:18 AM		User admin logged out of the admin interface	Authentication	admin		Info	User Action
Fri Jun 9 2017 9:17 AM	beast	Bulk unsubscription summary - unsubscribed from channel 7 to channel 12	Device Routing	admin	AIC128-D-015807	Info	User Action
	beauty	Unenrolled device BKLYN-II-06345c from domain beauty	Device Admin	admin	BKLYN-II-06345c	Info	User Action
	Rahul's Domain	Bulk subscription summary - subscribed 16 Rx channels to AIC128-D-080090	Device Routing	Rahul	BKLYN-II-0e8ea8-WIN	Info	User Action
	Rahul's Domain	Bulk subscription summary - subscribed 16 Rx channels to AIC128-D-080090	Device Routing	Rahul	BKLYN-II-0e8ea8-WIN	Info	User Action

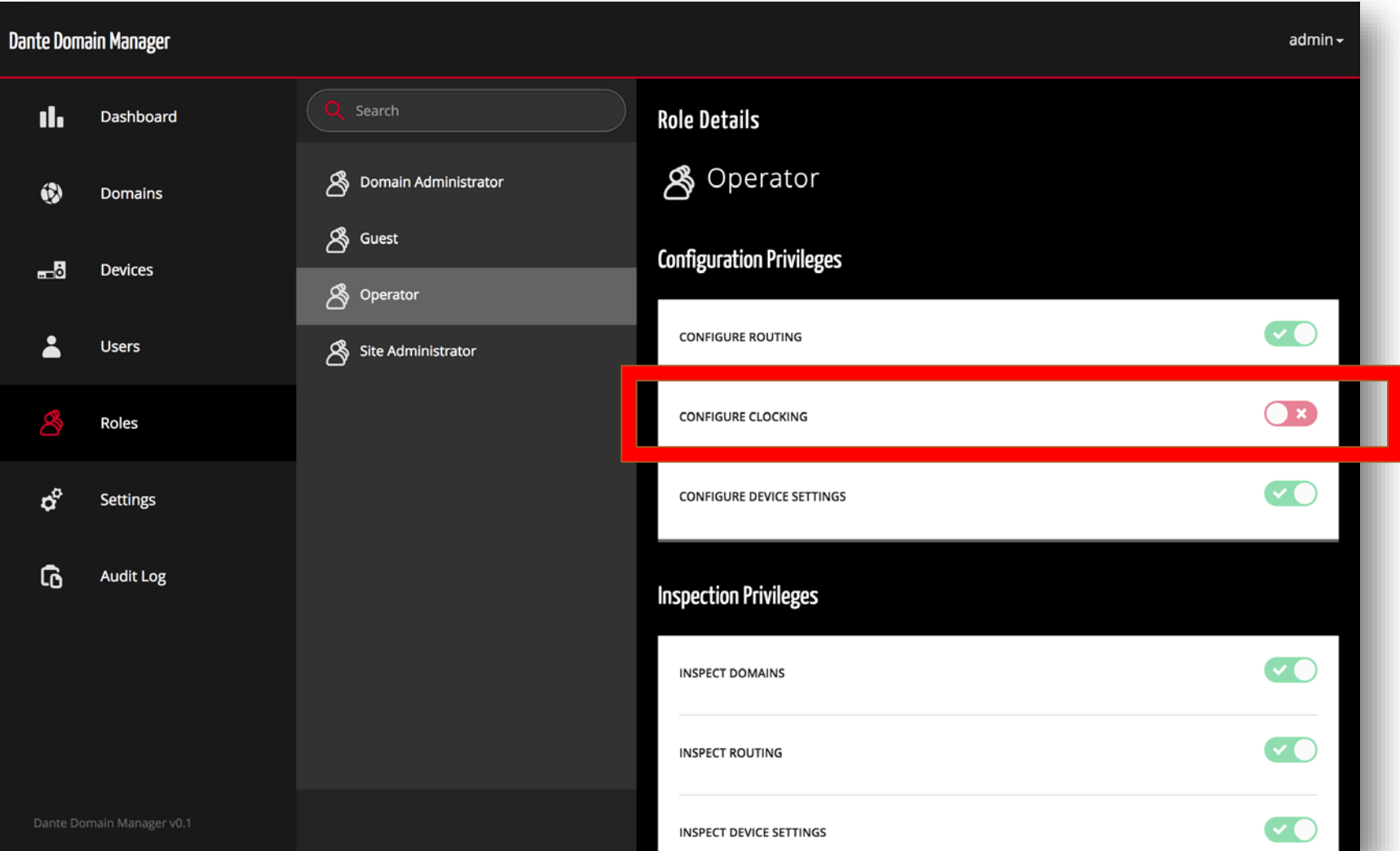
# Define users and privileges



The screenshot displays the Dante Domain Manager web interface. On the left is a navigation sidebar with options: Dashboard (with a notification badge '1'), Domains, Devices, Users (highlighted), Roles, Settings, and Audit Log. The main content area is titled 'User Details' and shows a form for creating a user named 'Danu V'. The form fields are: USERNAME\* (Danu), PASSWORD\* (masked with dots), CONFIRM PASSWORD\* (masked with dots), and EMAIL ADDRESS (dvino@example.com). Below the form is a 'Privileges' section, which is highlighted with a red box. It contains a 'DEFAULT ROLE' dropdown menu currently set to 'Domain Administrator'. At the bottom, there is a 'Domain-Specific Privileges' section with a table. The table has columns for 'DOMAIN' and 'ROLE'. One entry is visible: 'red' in the domain column and 'Domain Administrator' in the role column. There is a 'REMOVE' button next to this entry. At the bottom right of the table is an 'ADD DOMAIN ROLE' button. The interface also includes a search bar at the top, a user list (admin, Kelly S) in the middle, and 'ADD USER' and 'DELETE USER' buttons at the bottom left.

Dante Domain Manager™

# Limit access to key functions



The screenshot shows the Dante Domain Manager interface. On the left is a navigation sidebar with options: Dashboard, Domains, Devices, Users, Roles, Settings, and Audit Log. The 'Roles' section is active, showing a list of roles: Domain Administrator, Guest, Operator (highlighted), and Site Administrator. The main content area displays 'Role Details' for the 'Operator' role. Under 'Configuration Privileges', there are three items: 'CONFIGURE ROUTING' (enabled), 'CONFIGURE CLOCKING' (disabled, highlighted with a red box), and 'CONFIGURE DEVICE SETTINGS' (enabled). Under 'Inspection Privileges', there are three items: 'INSPECT DOMAINS' (enabled), 'INSPECT ROUTING' (enabled), and 'INSPECT DEVICE SETTINGS' (enabled). The top right shows the user 'admin' and the bottom left shows 'Dante Domain Manager v0.1'.

Dante Domain Manager™

# Domains and subnet crossing



The screenshot shows the Dante Domain Manager interface. On the left is a navigation sidebar with options: Dashboard, Domains, Devices, Users, Roles, Settings, and Audit Log. The 'Domains' section is active, showing a search bar and a list of domains: Performing Arts Center, Stadium, and Law School. A red box labeled 'Dante Domains' is overlaid on this list. The main content area is titled 'Devices' and shows two subnets: Subnet 10.10.70.0/24 and Subnet 10.10.72.0/24. Each subnet has a table of devices. A red box labeled 'Devices in domain' has an arrow pointing to the 'ENROLL STATE' column of the first table. Another red box labeled 'Subnets in domain' has arrows pointing to the 'NAME' column of both tables.

NAME	ENROLL STATE	CONNECTIVITY
Stage Manager's Mic	ENROLLED	ONLINE
Stage Box	ENROLLED	ONLINE
House DSP	ENROLLED	ONLINE
FOH Console	ENROLLED	ONLINE
RTL Intercom	ENROLLED	ONLINE
House Amplifier	ENROLLED	ONLINE

NAME	ENROLL STATE	CONNECTIVITY

Dante Domain Manager™

# What can I do with the DDM?

**AV  
Managers**



✓ Easily trouble-shoot AV System problems, identify root causes and take corrective actions quickly

**IT  
Administrators**



✓ Use my Directory service to manage access to AV systems  
✓ Prevent unauthorized changes to AV systems

**System  
Integrators,  
AV Consultants**



✓ Divide systems into manageable Dante domains  
✓ Deploy Dante in campus routed IP networks

**AV System  
Owners**



✓ Get notified of AV System issues so they can be actioned immediately



Domain and Device Support	Silver	Gold	Platinum
Domains supported	2	10	50
Devices supported	10	50	250

Feature	Silver	Gold	Platinum
Create and manage domains	✓	✓	✓
Configure domains across subnets	✓	✓	✓
Dashboards and alerts	✓	✓	✓
Detailed audit Log	✓	✓	✓
Automatic discovery of Dante devices	✓	✓	✓
Responsive browser interface	✓	✓	✓
User definition and role management	✓	✓	✓
Virtual server support	✓	✓	✓
System backup and restore	✓	✓	✓
Secure, encrypted control traffic	✓	✓	✓
Route audio between Dante domains	✓	✓	✓
Custom user views	✗	✓	✓
LDAP and Active Directory integration	✗	✓	✓
High Availability redundancy	✗	✗	✓
SNMP alerts	✗	✗	✓

## IDEAL FOR:

### Silver

#### Smaller installations

Conference room, reception area, house of worship or classroom

### Gold

#### Mid-sized business environments

Easy management of multiple rooms and public spaces

### Platinum

#### Large scale installations

Many users, rooms and devices spread over a wide area

# What's next?

- ✓ Dante Domain Manager will be commercially available Q4 2017
- ✓ Do your clients need DDM? **Become a reseller.**
- ✓ Do you need DDM? **Register for updates.**
- ✓ Do it all at <http://audinate.com/ddm> and **learn more**
- ✓ Speak with an Audinate representative for more details



# DANTE DOMAIN MANAGER™

---

*Complete network management for Dante systems*



<http://www.audinate.com/resources>